

SPECIFICATION

STAGE V



SKID STEER AND COMPACT TRACK LOADER 155, 215, 270, 215T, 270T

Operating weight: 2,955-4,991 kg Overall height: 1.98 - 2.10m Gross engine power: 42-55 KW (56-74 hp)



COMFORTABLY BETTER

Their unique Powerboom™ design and side entry door make JCB's skid steer and compact track loaders both stronger and safer than conventional twin arm machines, without compromise on power or performance. With a range of both wheeled and tracked models to choose from featuring vertical and radial lift options, there's sure to be a model to suit your needs.

COMFORTABLY BETTER CONTROL

With side-door entry, the largest cabs on the market, electric and adjustable joystick controls, our skid steers and compact track loaders enable maximum productivity.



COMFORTABLY BETTER VISIBILITY

The low boom profile on Hi-Viz models allows excellent visibility to both sides of the machine and the quick hitch, plus enhanced visibility to the tracks or wheels.

COMFORTABLY BETTER SAFETY

With a wide-opening side door for safe entry and exit, JCB machine operators no longer need to climb over large attachments or under an unsupported boom.



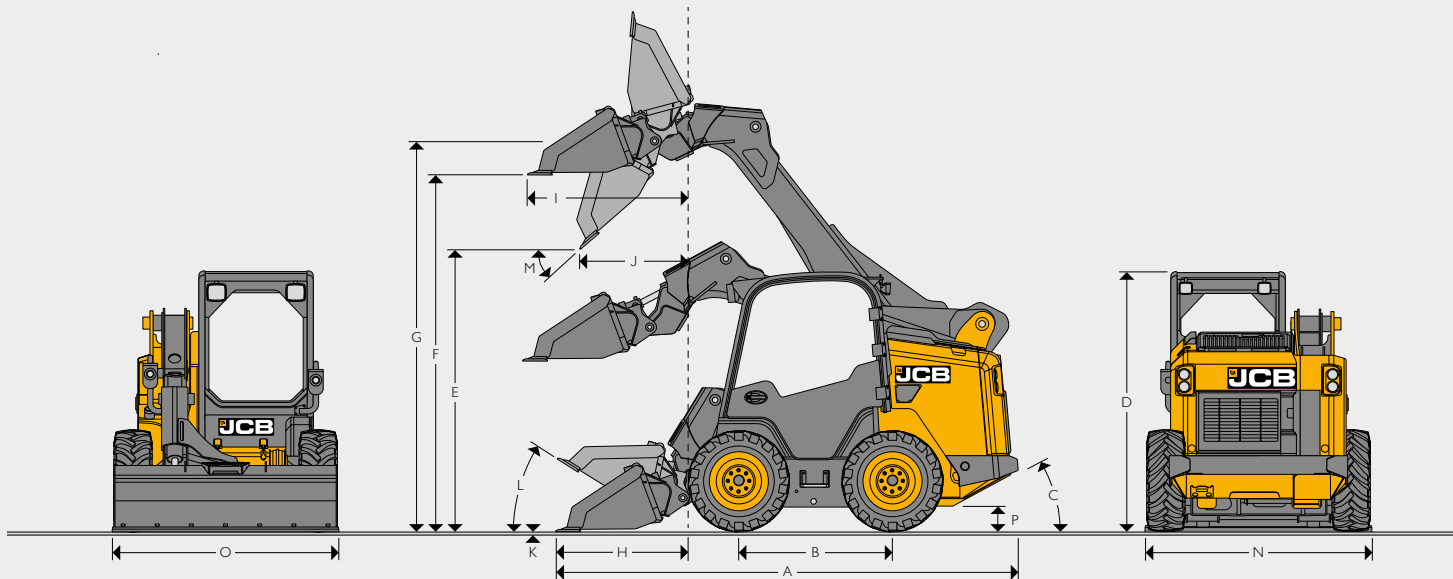
COMFORTABLY BETTER POWER

With plenty of power and versatile features, JCB sets new standards for efficiency and productivity in skid steer and compact track loaders.

COMFORTABLY BETTER PERFORMANCE

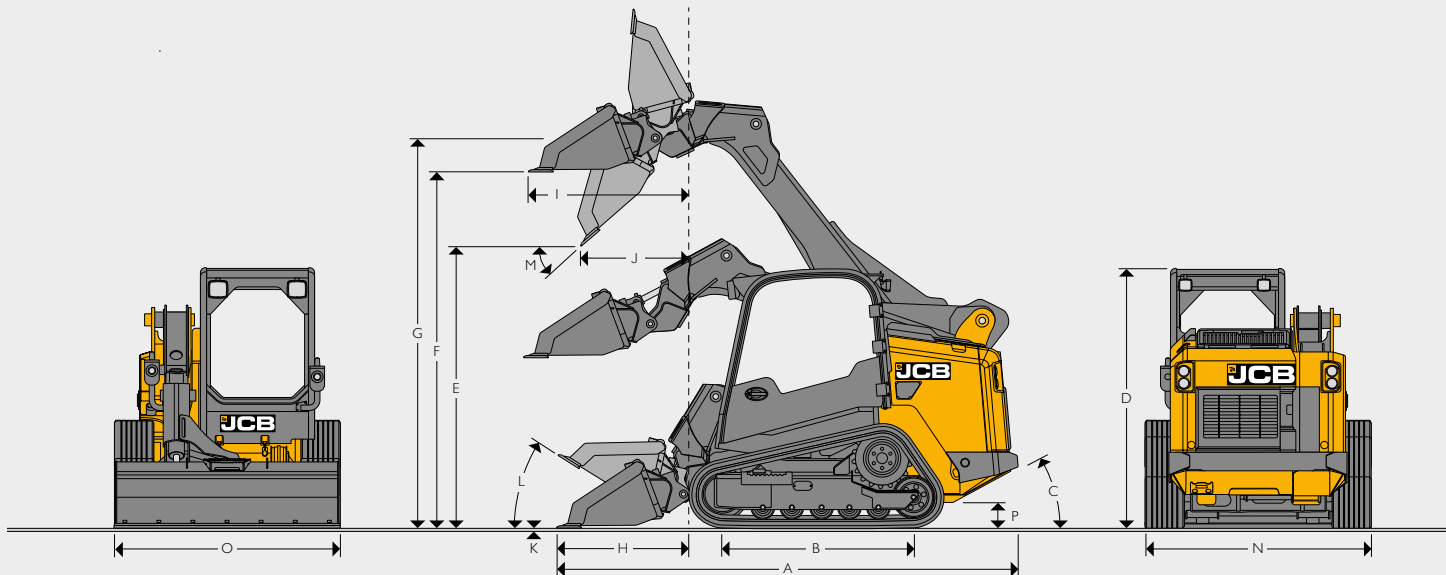
JCB skid steers and compact track loaders are built tough to handle the demands of any application and any condition.

STATIC DIMENSIONS – SKID STEER LOADER



		Small Platform		Large Platform
Lift path		Radial	Vertical	Vertical
Machine model		155	215	270
A	Overall length	m	3.49	3.80
B	Wheelbase	m	1.07	1.25
C	Angle of departure	degrees	25°	29°
D	Overall height	m	1.98	2.10
E	Dump height	m	2.26	2.30
F	Load over height	m	2.84	2.90
G	Pin height	m	3.00	3.20
H	Reach @ ground level	m	1.00	1.10
I	Max. reach @ full height	m	0.91	1.30
J	Reach @ full height - fully dumped	m	0.56	0.90
K	Dig depth clearance	m	-10	-10
L	Rollback @ ground	degrees	30°	30°
M	Dump angle	degrees	42°	42°
N	Width over tyres - standard	m	1.52	1.80
O	Bucket width - standard	m	1.68	1.90
	Bucket capacity - standard	m ³	0.36	0.43
Turning radius				
	Bucket corner radius	m	2.09	2.30
	Quick hitch radius	m	1.14	1.50
	Rear chassis radius	m	1.65	1.76
P	Ground clearance	mm	210	250

STATIC DIMENSIONS – COMPACT TRACK LOADER



		Small Platform	Large Platform
Lift path		Vertical	Vertical
Machine model		215T	270T
A Overall length	m	3.49	3.80
B Wheelbase	m	1.78	2.10
C Angle of departure	degrees	27°	29°
D Overall height	m	2.00	2.08
E Dump height	m	2.29	2.28
F Loadover height	m	2.85	2.88
G Pin height @ full height	m	3.02	3.18
H Reach @ ground level	m	1.00	1.10
I Max. reach @ full height	m	1.21	1.30
J Reach @ full height - fully dumped	m	0.85	0.90
K Dig depth clearance	mm	-10	-10
L Rollback @ ground	degrees	30°	30°
M Dump angle	degrees	42°	42°
N Width over tyres - standard	m	1.68	1.90
O Bucket width - standard	m	1.68	1.90
Bucket capacity - standard	m ³	0.36	0.43
Turning radius			
Bucket corner radius	m	2.09	2.30
Quick hitch radius	m	1.14	1.70
Rear chassis radius	m	1.65	1.76
P Ground clearance	mm	230	230

HYDRAULIC PERFORMANCE - SKID STEER

		Small Platform		Large Platform
Machine model		155	215	270
SAE Cab operating weight (no counterweight)	kg	3108	3482	3852
SAE Cab operating weight full counterweight (2 pair suitcase weights)	kg	3200	3574	N/A
Rated operating capacity (ROC) 50% (no counterweight)	kg	741	1014	1306
ROC 50% with full counterweight	kg	N/A	1148	N/A
Tipping load - no counterweight	kg	1482	2028	2612
Tipping load - full counterweight	kg	N/A	2162	N/A
Loader lift capacity with bucket	kgf	1914	1873	2747
Bucket tilt breakout force	kgf	2418	2682	2968

*210 & 215 available with 2 x pairs suitcase counterweights.

HYDRAULIC PERFORMANCE - COMPACT TRACK LOADER

		Small Platform	Large Platform
Machine model		215T	270T
SAE Cab operating weight (no counterweight)	kg	4176	4906
SAE Cab operating weight full counterweight (2 pair suitcase weights)	kg	4268	N/A
Rated operating capacity (ROC) 35% (with full counterweight where applicable)	kg	1136	1916
Rated operating capacity (ROC) 50% (no counterweight)	kg	1598	1916
ROC 50% with full counterweight	kg	1624	N/A
Tipping load - no counterweight	kg	3196	3831
Tipping load - full counterweight	kg	3247	N/A
Loader lift capacity with bucket	kgf	1873	2634
Bucket tilt breakout force	kgf	2682	2968

HYDRAULICS

In addition to the main hydrostatic drive pumps, there is a dedicated service pump for the loader and attachments (auxiliary hydraulics circuit standard flow on all base models).

		115/215/215T	270/270T
Standard flow		70 litres/min @2,450 RPM engine speed Main relief pressure 230bar (3,335psi) HYD Power Low Flow (36.0 hp)*	90 litres/min @2,300 RPM engine speed Main relief pressure 230bar (3,335psi) HYD Power Low Flow (46.7 hp)*
	Optional auxiliary high flow	155 100 litres/min HYD Power High Flow (51.4 hp)*	215/215T 115 litres/min HYD Power High Flow (59.1 hp)*
			270/270T 126.5 litres/min HYD Power High Flow (63.7 hp)*

- Low joystick lever efforts give excellent and easy control of transmission, loader and attachments.
- Auxiliary hydraulics are actuated on the joystick roller giving progressive control of hydraulic fluid flow for precise attachment control
- Loader arm hydraulic lines under protective steel guard on PowerBoom™.
- Canister style, full flow, hydraulic oil filter.
- JCB engine oil for engine and chain case.
- JCB hydraulic oil.

*Calculated

CAPACITIES

		Small Platform	Large Platform
Hydraulic system (including tank)	litres	43.5	55
Fuel tank (radial / vertical lift)	litres	98 / 92	103.3
Engine coolant	litres	10	22
Engine oil min/max.	litres	5.5 / 7.4	12 / 15
LH Chaincase (wheeled machines only)	litres	19	23.3
RH Chaincase (wheeled machines only)	litres	19	23.3

TRANSMISSION

A full electro-hydraulic controlled hydrostatic transmission giving zero to maximum speed, both forward and reverse at full power. Hydraulic power management system maintains full engine power availability maximising loader and attachment control.

Model		Single Speed	Two Speed
Travel Speeds 155/215	kmh	12.0	12.0 / 18.5
Travel Speeds 270	kmh	10.9	10.9 / 20.0
Travel Speeds 270T	kmh	9.2	7.7 / 12.5

	Small Platform		Large Platform
	155	215/215T	270/270T
Engine model	Kohler - KDI1903	Kohler - KDITCR2504E5/26	JCB 430 TAs-55
Displacement	cm ³ 1861	2482	4392
Fuel	Diesel	Diesel	Diesel
Cooling	Liquid	Liquid	Liquid
Aspiration	Turbo	Turbo	Turbo
Gross Power @ RPM			
ISO 14396	kW (hp) 42 (56.3) @2600	55.4 (74.3) @2600	55.2 (74) @2200
Gross Torque @ RPM			
ISO 14396	Nm 225@1500	315@1500	440 @1150
Starter motor	kW (hp) 2 (2.72)	2 (2.72)	4.2 (5.63)
Battery Voltage / Rating @ 20hr	V/Ah 12 / 95	12 / 109	12 / 109
Alternator	amps 100	100	95
Emission certification	EU STAGE V	EU STAGE V	EU STAGE V
Engine oil service interval hours	500	500	1000
Variable speed hydraulically driven fan	YES	YES	YES

TYRES / TRACKS

Tyres	Tracks
Standard – 155/215 10 x 16.5 - 8 PR Xtra Wall Off Road	215T 320 mm wide traction lug
Standard – 270 12 x 16.5 - 10 PR Xtra Wall Off Road	270T 400 mm wide traction lug
155/215 - Available tyre options	Available track options
11 x 16.5 - 10 PR All Terrain	450 mm wide traction lug
10 x 16.5 - Reinforced 2 Steel Crown, 3 Metal Shoulders Bibsteel All Terrain	
7 x 15 - 14 PR Extra Duty Plus Industrial	
30 x 7.6 - 15 Solid no Aperture Extreme Industrial	
31 x 10 - 18 Solid with Aperture Brawler Heavy Duty Off Road	
33 x 10 - 20 Solid with Aperture Slick Heavy Duty	
270 - Available tyre options	
7.6 x 15 Solid Industrial Slick	
11 x 16.5 - 12 PR Xtra Wall Off Road	
12 x 16.5 - 10 PR Off Road	
12 x 16.5 - Reinforced 2 Steel Crown, 3 Metal Shoulders Bibsteel All Terrain	
15.5 x 16.5 - 14 PR Off Road Flotation	
33 x 11 - 20 Solid with Aperture Brawler Heavy Duty Off Road	
36 x 22 - 20 Solid with Aperture Brawler Heavy Duty Off Road	
32 x 8.5 - 16 Solid with Aperture Heavy Duty Industrial	
33 x 10 - 20 Solid with Aperture Slick Heavy Duty Off Road	

For arduous conditions and hostile environments solid tyres are recommended.

CONTROLS

JCB servo control (ISO) pattern provides all drive functions on left and loader function on right joystick. The left hand control pod pivots rearwards, providing unparallelled machine entry/exit.

EQUIPMENT

Sealed cab with heater/defroster	•	Level 2 FOPS guard.	+
Air conditioning	•	Heavy-duty rear door guard	+
ROPS and Level I FOPS	•	Front screen guard	+
Centrifugal dry engine air filter with primary and secondary elements	•	High Flow auxiliary hydraulics	+
Mechanical quick hitch. Electronic hand throttle	•	Exhaust spark arrester	+
Two front and one rear work light	•	Bucket tooth guard.	+
Reverse Camera	•	Powered quick hitch	+
Emergency lower valve	•	Smooth Ride System	+
Fuel gauge	•	Polycarbonate screen	+
Hydraulic park brake	•	Three-inch seat belt	+
Standard Flow auxiliary hydraulics	•	Creep speed	+
Seven-way joysticks	•	Fenders	+
Rear service access door	•	Reversing fan	+
Tilting cab	•	Air Intake	+
Static seat in wheeled models	•	Pre-cleaner	
Mechanical suspension seat in tracked models	•		
Float	•	OPERATOR ENVIRONMENT	
Pod storage area	•	Full ROPS and Level I	•
Cup holder	•	Level 2 FOPS guard for demolition	+
Power socket	•	Full visual and audible warning system	•
Rear view mirror	•	EC Noise Directive compliant soundproofing	•
Interior light	•	Operator Enclosure access through side door	•
Battery isolator	•	Fully adjustable seat.	•
Foot throttle	•	Retractable seat belt.	•
Radio	•	Touch Screen	•
Twine cutter (wheeled units only)	•	Electric over hydraulic controls with JCB multi-function joysticks	•
ISO/H pattern	•		
Isolation mounted operator enclosure	•	LIGHTING AND ELECTRICS	
Changeover	•	12 VDC Negative ground system	•
Fuel cap protection	•	1,000 cold cranking amps (CCA) battery @0deg F	•
Mechanical and air suspension seats	+	Low charge pressure alarm	•
LED work lights	+	Engine water temperature alarm	•
Road lights	+	Blocked air filter pressure alarm	•
Beacon	+	Engine oil pressure alarm	•
Fire extinguisher	+	Avoltage alarm.	•
Toolkit	+	Operator enclosure mounted fuse and relay box	•
Self levelling	+	Standard battery disconnect	•

STANDARD •

OPTIONAL +





ONE COMPANY, OVER 300 MACHINES.

Your nearest JCB dealer

SKID STEER AND COMPACT TRACK LOADER 155, 215, 270, 215T, 270T

Operating weight: 2,955-4,991kg Overall height: 1.98 - 2.10m Gross engine power: 42-55 KW (56-74 hp)

JCB Sales Limited, Rocester, Staffordshire, United Kingdom ST14 5JP.

Tel: +44 (0)1889 590312 Email: salesinfo@jcb.com

Download the very latest information on this product range at: www.jcb.com

©2023 JCB Sales. All rights reserved. No part of this publication may be reproduced, stored in a retrieval system, or transmitted in any form or by any other means, electronic, mechanical, photocopying or otherwise, without prior permission from JCB Sales. All references in this publication to operating weights, sizes, capacities and other performance measurements are provided for guidance only and may vary dependant upon the exact specification of machine. They should not therefore be relied upon in relation to suitability for a particular application. Guidance and advice should always be sought from your JCB Dealer. JCB reserves the right to change specifications without notice. Illustrations and specifications shown may include optional equipment and accessories. The JCB logo is a registered trademark of J.C. Bamford Excavators Ltd.

